

Heat exchangers



Hi-Flow is a spiral heat exchanger for installations with high pressure made of stainless steel for optimal durability.

Hi-Flow 13-75kW

Hi-Flow is a spiral heat exchanger made of acid proof stainless steel for installations that operate under high pressure. Simple installation with the included adjustable stainless steel attachments.

Maximum pressure secondary circuit (pool water) is 8 bar and primary circuit (hot water) is 30 bar.

Suitable for pools up to 300 m³

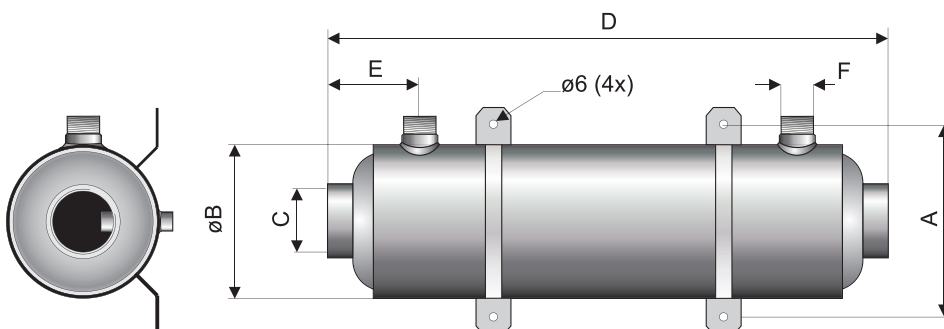
Features

- Acid proof stainless steel
- Precision-welded outer jacket
- Coil for heating medium
- Pocket for temperature probe
- Adjustable brackets of acid proof stainless steel
- Four sizes: 13, 28, 40 and 75 kW
- Connects to existing heat source
- Mounted horizontally

Technical data

Item no.	Type	Capacity			Primary, hot water		Secondary, pool water		kg
		kW	kBtu/h	kcal	l/min	press. drop H (m)	l/min	press. drop H (m)	
11391	HF13	13	45	11 177	25	0.9	200	0.6	1.9
11392	HF28	28	95	24 075	25	1.7	300	1.6	3.2
11393	HF40	40	135	34 393	60	1.3	300	1.6	3.4
11394	HF75	75	260	64 488	60	2.6	300	1.1	5.3

Capacity at a temperature difference of 60°C for 11391 and 11392. Capacity at a temperature difference of 70°C for 11393 and 11394.



Dimensions

Item no.	kW	A	B	C	D	E	F
11391	13	139	129	1 ½"	235	72	¾"
11392	28	139	129	1 ½"	407	75	¾"
11393	40	139	129	1 ½"	455	85	1"
11394	75	139	129	2"	702	85	1"