

# Heat exchangers

## Hi-Flow titanium 28-75kW

Hi-Flow titanium is a spiral heat exchanger made of titanium for the most demanding installations where there is a high risk of corrosion. Titanium is ideal for swimming pools with salt water or where a salt chlorinator is used. Adjustable stainless steel attachments included.

Maximum pressure secondary circuit (pool water) is 5 bar and primary circuit (hot water) is 30 bar.

Suitable for pools up to 300 m<sup>3</sup>



Hi-Flow is a spiral heat exchanger made of titanium, the ideal material when a salt chlorinator is used. Suitable for installations with high pressure.

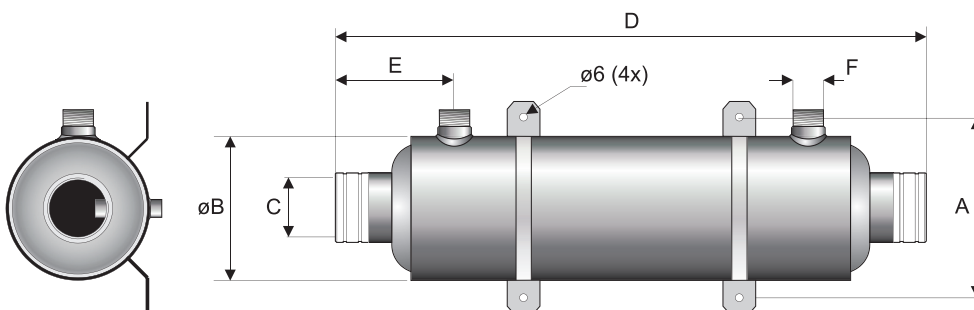
### Features

- Titanium
- Connections with interior thread (secondary side)
- Coil for the heating medium
- Pocket for temperature probe
- Adjustable brackets of acid proof stainless steel
- Three sizes 28, 40 and 75 kW
- Connects to existing heat source
- Mounted horizontally

### Technical data

| Item no. | Type | Capacity |        |        | Primary, hot water |                   | Secondary, pool water |                   | kg  |
|----------|------|----------|--------|--------|--------------------|-------------------|-----------------------|-------------------|-----|
|          |      | kW       | kBtu/h | kcal   | l/min              | press. drop H (m) | l/min                 | press. drop H (m) |     |
| 11332    | T28  | 28       | 95     | 24 075 | 20                 | 1.0               | 300                   | 1.1               | 1.9 |
| 11333    | T40  | 40       | 135    | 34 393 | 40                 | 2.3               | 350                   | 1.7               | 2.0 |
| 11334    | T75  | 75       | 260    | 64 488 | 45                 | 5.2               | 350                   | 1.7               | 2.9 |

Capacity at a temperature difference of 60°C for 11332 and 11333. Capacity at a temperature difference of 70°C for 11334.



### Dimensions

| Item no. | kW | A   | B   | C    | D   | E   | F  | G  |
|----------|----|-----|-----|------|-----|-----|----|----|
| 11332    | 28 | 139 | 113 | 1 ½" | 470 | 95  | 1" | 51 |
| 11333    | 40 | 139 | 127 | 1 ½" | 510 | 108 | 1" | 51 |
| 11334    | 75 | 139 | 127 | 1 ½" | 754 | 108 | 1" | 51 |